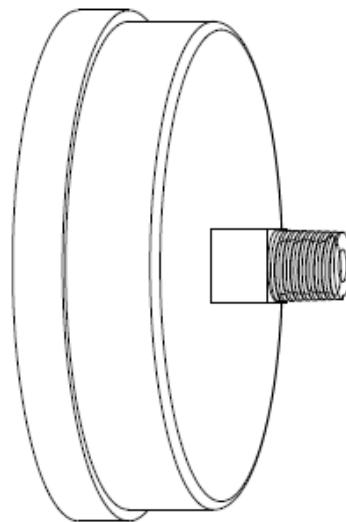
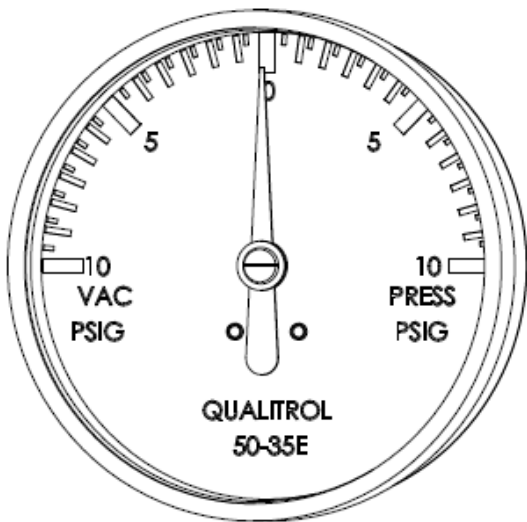




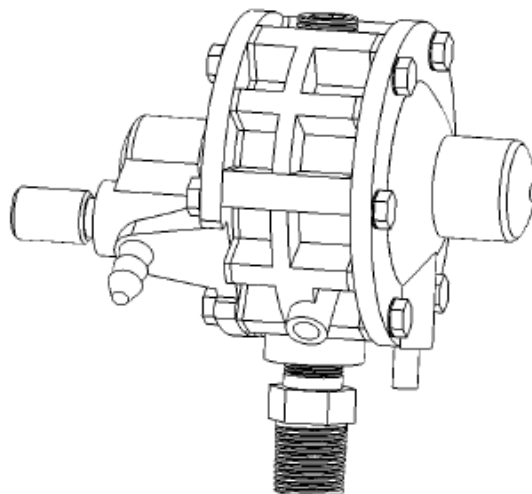
MISC ITEMS



PROPRIETARY AND CONFIDENTIAL
 THE INFORMATION CONTAINED IN THIS
 DRAWING IS THE SOLE PROPERTY OF
 BREAKER SERVICE INC. ANY
 REPRODUCTION IN PART OR AS A WHOLE
 WITHOUT THE WRITTEN PERMISSION OF
 BREAKER SERVICE INC. IS PROHIBITED.
 COPYRIGHT 2003

BREAKER SERVICE INC
 800-826-5250 office 888-267-7690 fax
 Gauge, pressure / vacuum
 Range +10 / -10 psig
 Qualitrol part # 50-35E
 Used on transformer Nitrogen
 systems.

REV A	DRWG. NO. 37408AMK	PKY 0
SCALE 1:1 Date: 02-02-2003		SHEET 1 OF 1



PROPRIETARY AND CONFIDENTIAL
THE INFORMATION CONTAINED IN THIS
DRAWING IS THE SOLE PROPERTY OF
BREAKER SERVICE INC. ANY
REPRODUCTION IN PART OR AS A WHOLE
WITHOUT THE WRITTEN PERMISSION OF
BREAKER SERVICE INC. IS PROHIBITED.
COPYRIGHT 2003

BREAKER SERVICE INC
800-826-5250 office 888-267-7690 fax

Pressure/Vacuum Bleeder
Qualitrol # 351-2A
Set at +5 / -5 psi

SIZE A	DWG. NO. 37409AMK	REV. 0
SCALE 1:1	Date: 02-02-2003	SHEET 1 OF 1

CASE: CAST ALUMINUM WITH ASA #70 LIGHT GRAY FINISH.

BEZEL: STAINLESS STEEL - REMOVABLE.
DIAL COLORS: BACKGROUND - BLACK
CHARACTERS - WHITE

POINTER COLOR: WHITE

MAX. INDICATING POINTER COLOR: RED
SWITCH SETTING INDICATOR COLOR: SILVER
LENS: POLYCARBONATE

SWITCH SETTING ADJUSTABILITY: 16°-152°.

SWITCH DIFFERENTIAL: 7.5 °C ± 2.5 °C.

ACCURACY: ± 2% OF DIAL RANGE.

SWITCH RATING: UL/CSA RATING:

10 AMPS AND 1/3 HP @ 125, 250, VAC

1/2 AMP @ 125 VDC (NON-INDUCTIVE)

1/4 AMP @ 250 VDC (NON-INDUCTIVE)

4 AMPS @ 125 VAC "I" (LAMP LOAD)

DIELECTRIC STRENGTH: 1,500 VOLTS TO GROUND FOR 60 SECONDS.

TO ADJUST SWITCH INDICATORS:

A) REMOVE BEZEL AND LENS ASSEMBLY.
B) LOOSEN SCREWS AND MOVE SWITCH SETTING INDICATOR TO DESIRED SETTING. RE-TIGHTEN SCREWS.
C) REPLACE BEZEL AND LENS ASSEMBLY.

TO CHECK SWITCH OPERATION MANUALLY:

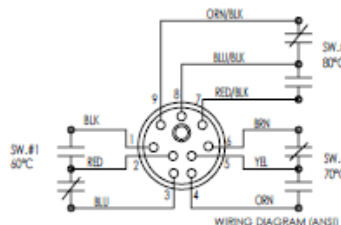
A) REMOVE BEZEL AND LENS ASSEMBLY.
B) TURN POINTER CLOCKWISE PAST THE SWITCH SETTING INDICATOR.
C) SLOWLY RETURN THE POINTER TO ITS ORIGINAL POSITION.

D) REPLACE BEZEL AND LENS ASSEMBLY.

CAUTION! POINTER MUST NEVER BE TURNED COUNTERCLOCKWISE.

KIT DATA:

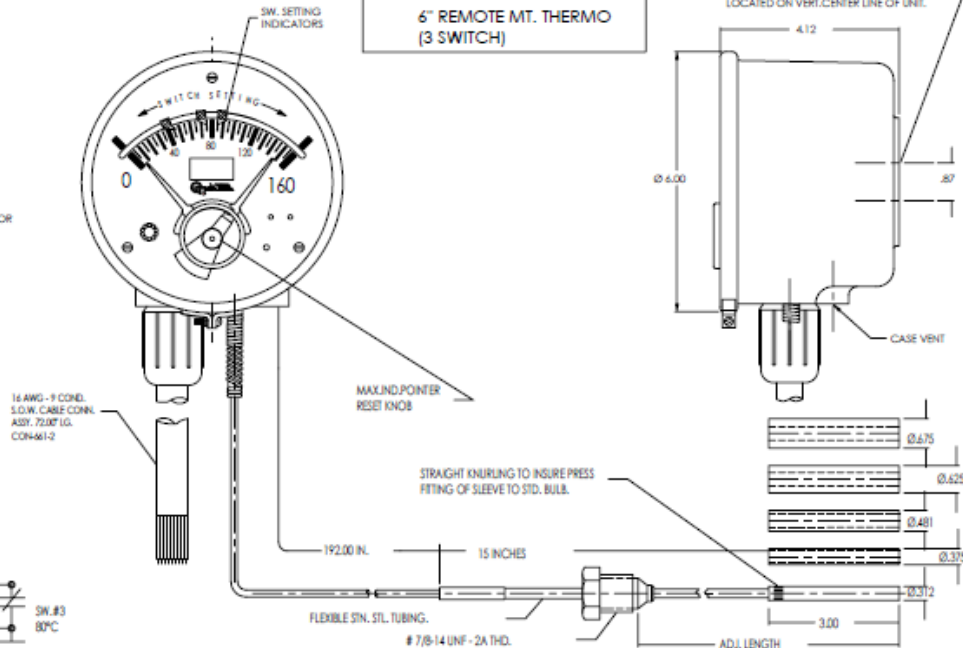
UNIT IS SUPPLIED WITH KIT P/N KIT-009-6 CONSISTING OF:
4 SLEEVES - PROVIDED TO ADAPT SENSING BULB TO VARIOUS THERMOWELL SIZES.
1 WINDING TEMPERATURE LOWER DIAL.
1 LIQUID TEMPERATURE LOWER DIAL.



SHOWN LOOKING AT MALE INSUL. ASSY. FROM OUTSIDE OF CASE.

MODEL NO. 104-666-03

6" REMOTE MT. THERMO (3 SWITCH)



1/2-13 UNC-28 x .42 DP. MFG. INSERT LOCATED ON VERT. CENTER LINE OF UNIT.

412

0.600

.87

0.675

0.625

0.481

0.375

3.00

ADJ. LENGTH

192.00 IN.

FLEXIBLE STN. STL. TUBING.

7/8-14 UNF - 2A THD.

15 INCHES

STRAIGHT KNURLING TO INSURE PRESS FITTING OF SLEEVE TO STD. BULB.

MAX. IND. POINTER RESET KNOB

SW. SETTING INDICATORS



BREAKER SERVICE INC
800-826-5250 office 888-267-7690 fax

Universal 6" remote indicating thermometer with 3 switches, 192" capillary and 72" cable. Qualitrol # 104-666-03

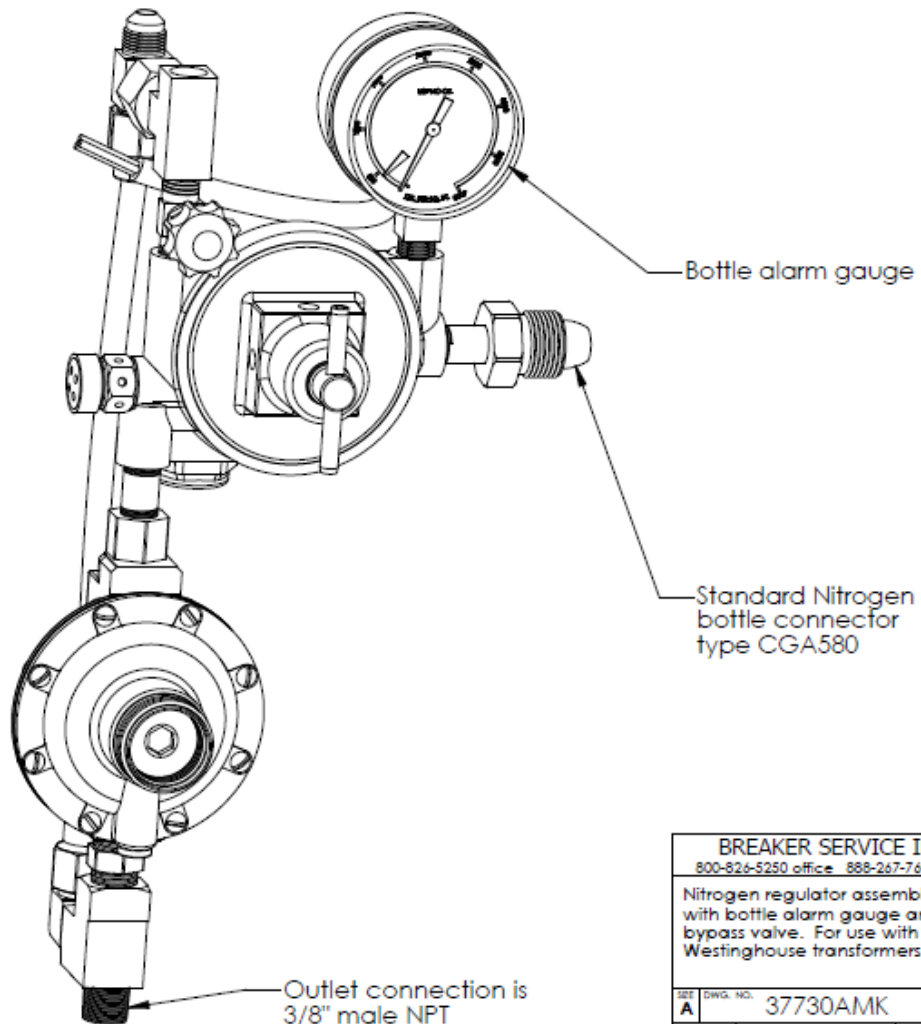
SIZE DWG. NO. **37629AMK**

REV. **0**

SCALE: NTS Date: 01-06-2003 SHEET 1 OF 1

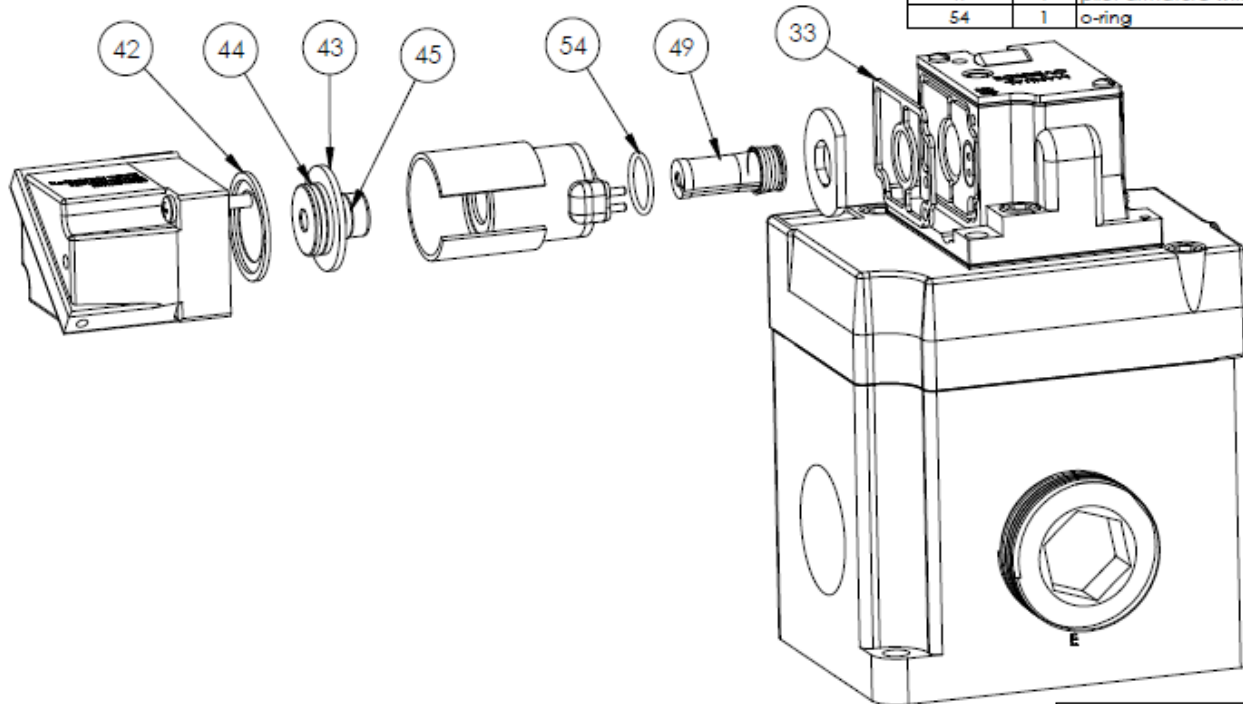
PROPRIETARY AND CONFIDENTIAL

THE INFORMATION CONTAINED IN THIS DRAWING IS THE SOLE PROPERTY OF BREAKER SERVICE INC. ANY REPRODUCTION IN PART OR AS A WHOLE WITHOUT THE WRITTEN PERMISSION OF BREAKER SERVICE INC. IS PROHIBITED. COPYRIGHT 2003



PROPRIETARY AND CONFIDENTIAL
 THE INFORMATION CONTAINED IN THIS
 DRAWING IS THE SOLE PROPERTY OF
 BREAKER SERVICE INC. ANY
 REPRODUCTION IN PART OR AS A WHOLE
 WITHOUT THE WRITTEN PERMISSION OF
 BREAKER SERVICE INC. IS PROHIBITED.
 COPYRIGHT 2005

BREAKER SERVICE INC			
800-826-5250 office 888-267-7690 fax			
Nitrogen regulator assembly with bottle alarm gauge and bypass valve. For use with Westinghouse transformers.			
REV	DWG. NO.		REV.
A	37730AMK		1
SCALE 1:2	Date: 01-10-2005	SHEET 1 OF 1	



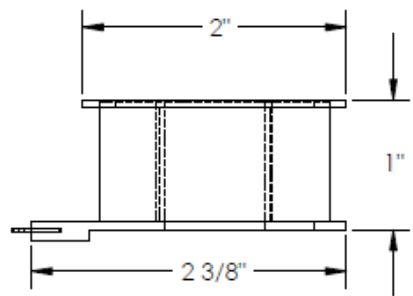
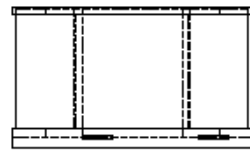
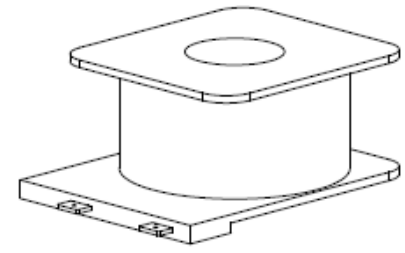
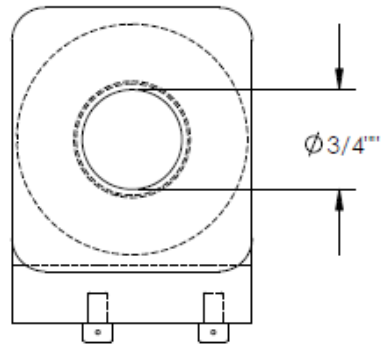
ITEM NO.	QTY.	DESCRIPTION
33	1	gasket
42	1	gasket
43	1	seat
44	1	o-ring
45	1	o-ring
49	1	pilot armature with spring
54	1	o-ring

PROPRIETARY AND CONFIDENTIAL
 THE INFORMATION CONTAINED IN THIS
 DRAWING IS THE SOLE PROPERTY OF
 BREAKER SERVICE INC. ANY
 REPRODUCTION IN PART OR AS A WHOLE
 WITHOUT THE WRITTEN PERMISSION OF
 BREAKER SERVICE INC. IS PROHIBITED.
 COPYRIGHT 2004

BREAKER SERVICE INC
 800-826-5250 office 888-267-7690 fax

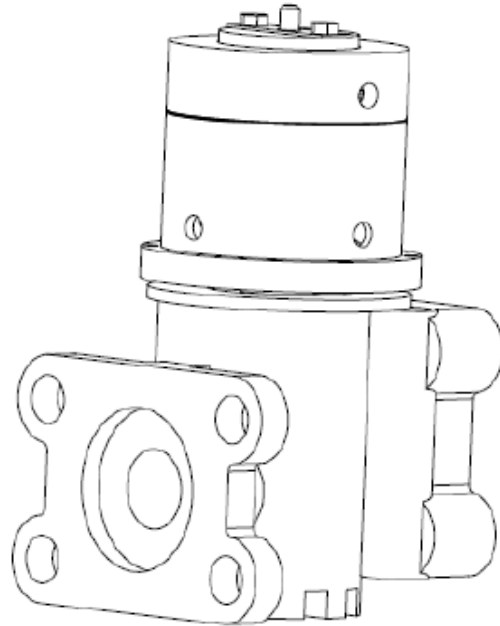
Pilot valve repair kit for Parker
 Hannifin control valve used on
 Allis Chalmers / Siemens type BZO
 breakers with type PN-70-T2 &
 PN-90-T2 mechanisms

REV: **A** DWG. NO. **38125AMK** REV: **0**
 SCALE: 1:2 Date: 06-09-2004 SHEET 1 OF 1



PROPRIETARY AND CONFIDENTIAL
 THE INFORMATION CONTAINED IN THIS
 DRAWING IS THE SOLE PROPERTY OF
 BREAKER SERVICE INC. ANY
 REPRODUCTION IN PART OR AS A WHOLE
 WITHOUT THE WRITTEN PERMISSION OF
 BREAKER SERVICE INC. IS PROHIBITED.
 COPYRIGHT 2005

BREAKER SERVICE INC 800-826-5250 office 888-267-7690 fax		
Coil, trip and close, 125vac or 240vac, for Westinghouse and ABB type R vacuum breakers and type E3, E3M, E3V, & E3VA reclosers built after June 1976, 8.0 ohms Coil is WH part # L915166G01		
SEE A	DWG. NO. 38244AMK	REV. 0
SCALE: 1:1	Date: 01-15-2006	SHEET 01



PROPERTY AND CONFIDENTIAL
THE INFORMATION CONTAINED IN THIS DRAWING IS
THE SOLE PROPERTY OF BREAKER SERVICE INC.
ANY REPRODUCTION IN PART OR AS A WHOLE
WITHOUT THE WRITTEN PERMISSION OF BREAKER
SERVICE INC. IS PROHIBITED. COPYRIGHT 2011

BREAKER SERVICE INC
800-826-5250 office 888-267-7690 fax

MA-14 thru 18

**CUSTOMER NEEDS TO PROVIDE:
MECHANIS TYPE, VOLTAGE AND
COIL NUMBER**

DWG NO.

37440AMK ?

REV
2